



THANK YOU FOR CHOOSING ANOTHER WAY!

Please read this manual carefully before using the
TAU SEQUENTIAL SHIFTER in order to keep your safety and to
use the product correctly.

Contents

1. Warning.....	3
2. Notes.....	4
3. Dimensions.....	6
4. Adjustment	7
4.1. Adjustment of the pressure spring with the knurled knob.....	7
4.2. Changing the position of the lever	8
5. Calibration.....	10
6. Maintenance	11
7. Recommendations connected with the protection of the environment	12
8. Warranty information	12

CONTACT DETAILS	
DATA	ANOTHER WAY Bogusławki Małe 25C 96-200 Rawa Mazowiecka, Poland
PHONE:	+48 607 587 509 +48,665,140,498
E-MAIL:	kontakt@aw-anotherwav.pl

1. **Warning**

In order to ensure your safety and the safety of others when using the SEQUENTIAL SHIFTER, please follow the guidelines below:

- ✓ NEVER use the TAU SEQUENTIAL SHIFTER if it is not properly and firmly attached
- ✓ The TAU SEQUENTIAL SHIFTER is not intended for the use children under the age of 15
- ✓ The product contains small parts which, if swallowed by young children, may cause choking, injuries and even death. Be especially careful when using small parts and keep them away from children
- ✓ Connect the product only to certified computers
- ✓ Connect the product to a USB port of a computer with a USB cable. The USB cable and the plug must not bear any signs of wear, damage and breakage of the cable cover and the plug
- ✓ Disconnect the product if it is not to be used for an extended period of time
- ✓ DO NOT modify the product, in case of malfunction, please contact the manufacturer
- ✓ DO NOT attempt to repair the product

2. Notes

Remember when using the TAU SEQUENTIAL SHIFTER never to put your fingers or other body parts in the areas described and MARKED IN THE DRAWING BELOW:

- ✓ Between the walls of the lever
- ✓ Between the front and rear bumper
- ✓ Into none of the holes in the TAU SEQUENTIAL SHIFTER housing
- ✓ Also, in any area where there is danger of cutting and / or personal injury

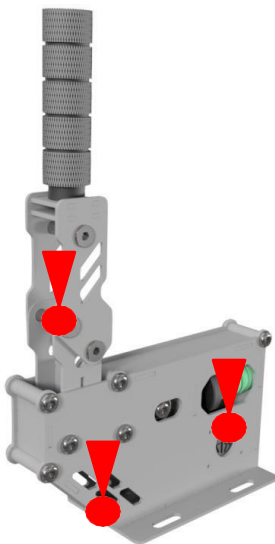



Fig. 1. Hazardous areas in the TAU SEQUENTIAL SHIFTER where it is forbidden to insert fingers and other parts of the body.



The product is entirely safe when used for its intended purposes.
Any other uses are not recommended and prohibited.

**THE ANOTHER WAY COMPANY SHALL NOT BE
LIABLE FOR ANY INJURY WHICH COULD RESULT
FROM THE IMPROPER USE OF THE TAU SEQUENTIAL
SHIFTER.**

3. Dimensions

Figure 2 [Fig.2] shows the dimensions of the TAU SEQUENTIAL SHIFTER including mounting holes. All the dimensions are shown in [mm].

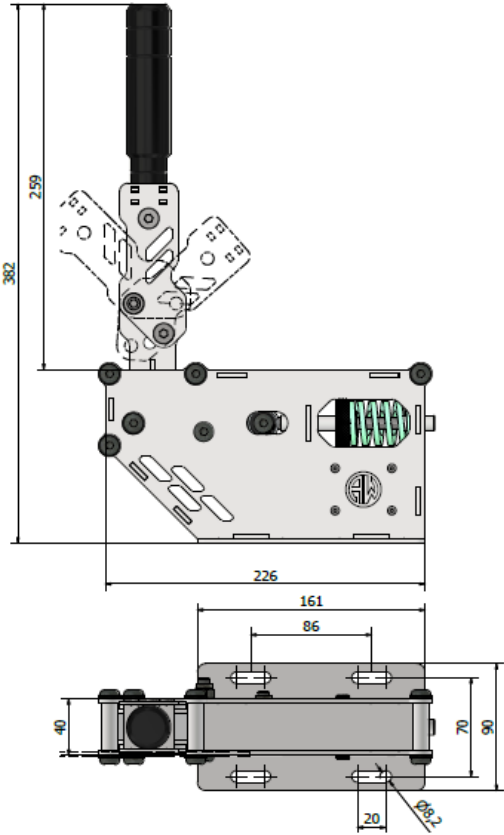


Fig.2 shows the dimensions of the TAU SEQUENTIAL SHIFTER including mounting holes.

4. Adjustment

4.1. Adjustment of the pressure spring with the knurled knob

For precise adjustment of the spring resistance force in the TAU SEQUENTIAL SHIFTER, a knurled knob has been installed [Fig. 3]. It allows the spring to be either compressed or loosened which makes it possible to freely adjust the spring resistance force. Tightening the knurled knob increases the spring resistance and thus increases the gear switching force. Loosening the knob produces opposite result.

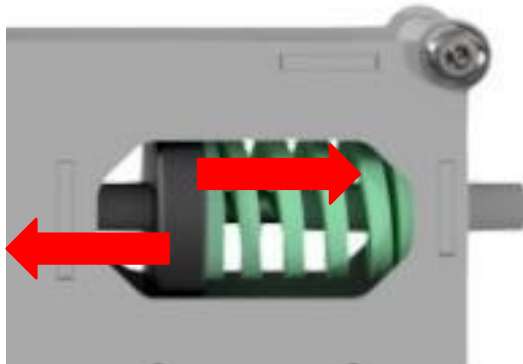


Fig. 3. Knob turning directions

4.2. Changing the position of the lever

For this purpose, a four-level scale has been designed, enabling the lever position to be changed in the range of 180° . Additionally, the lever can be set parallel or perpendicular to the base. Below, there are pictures showing the options of changing the position of the lever - vertical and horizontal variants.

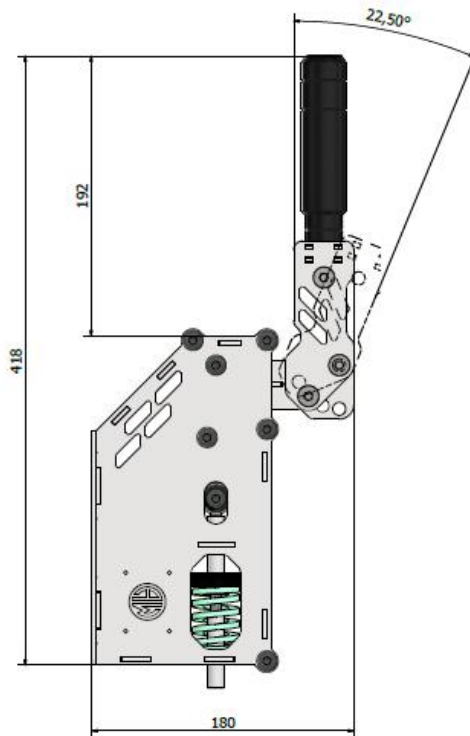


Fig .4. Changing the position of the lever - vertical variant

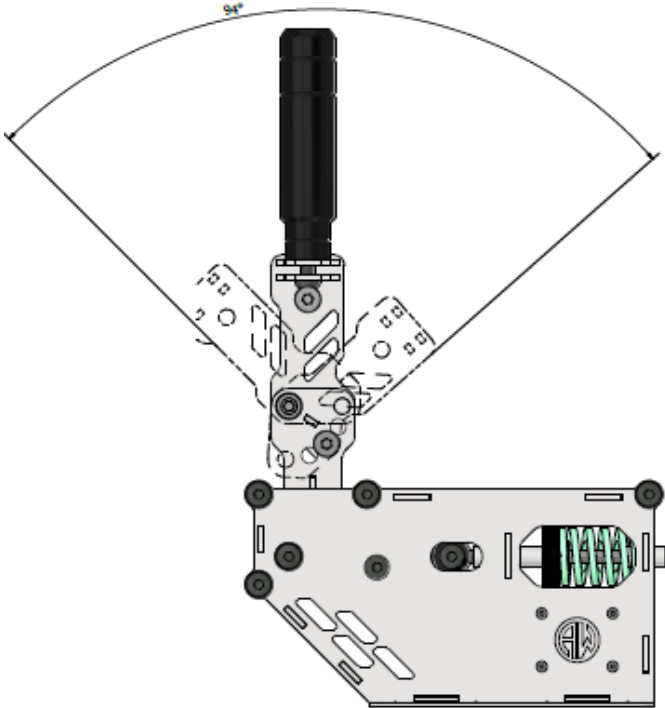


Fig. 5 Changing the position of the lever - horizontal variant

In order to properly change the position of the TAU SEQUENTIAL SHIFTER lever:

- a. Use the H4 wrenches and unscrew two M6 screws.
- b. Put them into the selected hole and screw on.
- c. For the horizontal variant, rotate the lever by 180° around the axis of the handle and proceed as described above.

5. Calibration

The TAU SEQUENTIAL SHIFTER is compatible with Windows 10. Before using the TAU SEQUENTIAL SHIFTER, the USB cable must be connected to the USB port. A shifter is a kind of a PLUG AND PLAY game controller. To make sure the controller is detected by the computer with the Windows OS, go to the control panel and then to the Set up USB Game Controllers tab.



Set up USB game controllers
Control panel

After clicking it, the following window appears:

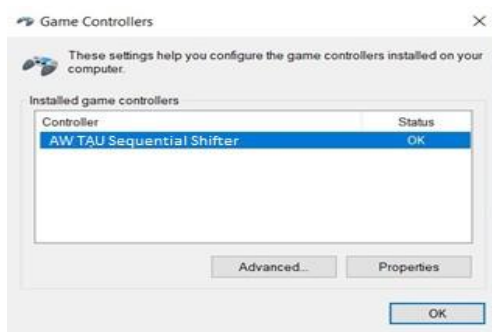


Fig.7 Game controllers

The name AW TAU Sequential Shifter should appear on the Game Controllers screen. If so, the shifter works fine. The game controller is now detected by the computer and ready to use.

6. Maintenance

The TAU SEQUENTIAL SHIFTER has been designed to minimize maintenance and service work. In order to keep it in its best condition for years, see the guidelines included in this section.

The most important protective and maintenance step is systematic lubrication of the shifter in the most used areas [Fig. 8]. The frequency of this activity depends to the greatest extent on the intensity of use. The main sign indicating the need for maintenance is the characteristic creaking noise caused by friction. Lithium grease is the recommended maintenance agent.

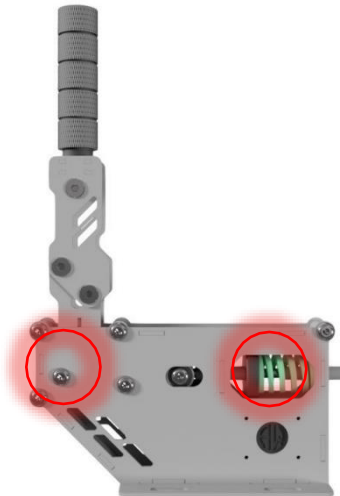


Fig. 8 Marking on the parts that require lubrication

7. Recommendations connected with the protection of the environment

Electronic and electric devices must not be disposed of with other household waste. They are to be recycled at specialized collection points for used electronic and electrical equipment in order to avoid negative impact on the environment and human health. Please contact your local authority for information on the location of such points.

8. Warranty information

The Another Way company based in Bogusławki Małe 25C, 96-200 Rawa Mazowiecka gives a guarantee that the TAU SEQUENTIAL SHIFTER product will be free from material / production / design defects for a period of two (2) years running from the moment the TAU SEQUENTIAL SHIFTER is delivered to the customer.

In the event of any signs that may indicate a product defect, the manufacturer should be immediately contacted in order to specify further procedure. Under the specified warranty, the defective product will either be repaired or replaced with a working one, or the cost of its purchase will be refunded, provided that the product along with a copy of the invoice or receipt confirming its purchase is delivered to the manufacturer. The decision related to the consideration of the complaint rests with the Manufacturer.

This warranty does not apply in the following cases:

- ✓ If the product has been modified by the user
- ✓ If the product has been reworked, altered, or damaged due to improper or excessive use
- ✓ In case of an accident caused by the customer
- ✓ In case of negligence in use, normal wear and tear or any other reason that is not caused solely by a material or manufacturing defect
- ✓ When used for commercial use
- ✓ If the manufacturer's recommendations are not followed
- ✓ When the product is resold

NOTE

Please remember that in order to make a complaint, you must contact the point of sale where the product was purchased.