



THANK YOU FOR CHOOSING ANOTHER WAY!

Please read this manual carefully before using TAU HANDBRAKE
in order to keep your safety and to use the product correctly.

Contents

1. Warning.....	3
2. Notes.....	4
3. Dimensions.....	6
4. Handbrake settings	8
4.1. Changing the position of the pressure spring.....	8
4.2. Adjustment of the pressure spring with the knurled knob....	10
4.3. Changing the position of the lever	11
5. Characteristics	13
6. Calibration.....	14
7. Maintenance	18
8. Recommendations connected with the protection of the environment.....	19
9. Warranty information	19

CONTACT DETAILS	
DATA	ANOTHER WAY Bogusławki Małe 25C 96-200 Rawa Mazowiecka, Poland
PHONE:	+48 607 587 509 +48 665 140 498
E-MAIL:	kontakt@aw-anotherwav.pl

1. **Warning**

In order to ensure your safety and the safety of others when using the TAU HANDBRAKE, please follow the guidelines below:

- ✓ NEVER use the TAU HANDBRAKE if it is not properly and firmly attached
- ✓ The TAU HANDBRAKE is not intended for the use children under the age of 15
- ✓ The product contains small parts which, if swallowed by young children, may cause choking, injuries and even death. Be especially careful when using small parts and keep them away from children
- ✓ Connect the product only to certified computers
- ✓ Connect the product to a USB port of a computer with a USB cable. The USB cable and the plug must not bear any signs of wear, damage and breakage of the cable cover and the plug
- ✓ Disconnect the product if it is not to be used for an extended period of time
- ✓ DO NOT modify the product. In case of malfunction, please contact the manufacturer
- ✓ DO NOT attempt to repair the product

2. Notes

Remember when using the TAU HANDBRAKE never to put your fingers or other body parts in the areas described and MARKED IN THE DRAWING BELOW:

- ✓ Between the walls of the lever
- ✓ Between the front and rear bumper
- ✓ Into the rear area of the spring mechanism
- ✓ Also, in any area where there is danger of cutting and / or personal injury

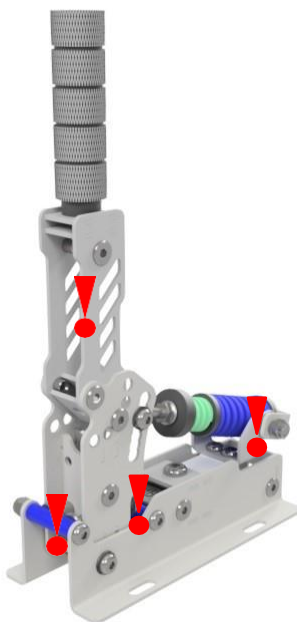



Fig. 1. Hazardous areas in the TAU HANDBRAKE where it is forbidden to insert fingers and other parts of the body.



The product is entirely safe when used for its intended purposes.
Any other uses are not recommended and prohibited.

**THE ANOTHER WAY COMPANY SHALL NOT BE
LIABLE FOR ANY INJURY WHICH COULD RESULT
FROM THE IMPROPER USE OF THE TAU HANDBRAKE.**

3. Dimensions

Figure 2 [Fig.2] shows the dimensions of the TAU HANDBRAKE including mounting holes. All the dimensions are shown in [mm].

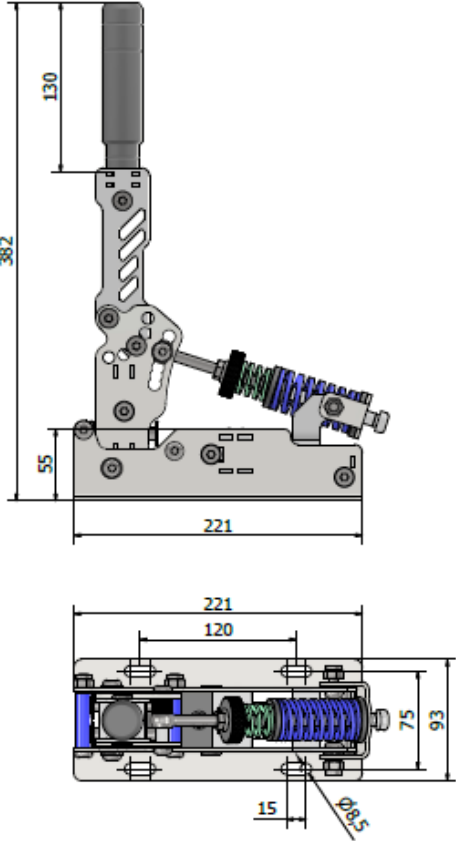


Fig.2 shows the dimensions of the TAU HANDBRAKE including mounting holes.



4. Handbrake settings

4.1. Changing the position of the pressure spring

To ensure a full range of adjustment, a seven-step range system for changing the position of the pressure spring has been designed. This translates into a wide range of combinations of spring settings and force adjustment depending on individual needs. The spring attached to the highest point of the seven-point scale has the highest resistance force, while when positioned in the lowest hole, it has the lowest resistance force.

In order to correctly change the position of the pressure spring, proceed as follows:

- A. Loosen the pressure spring by winding out the knurled knob by hand [Fig.3], so that it does not put pressure on the pedal lever.

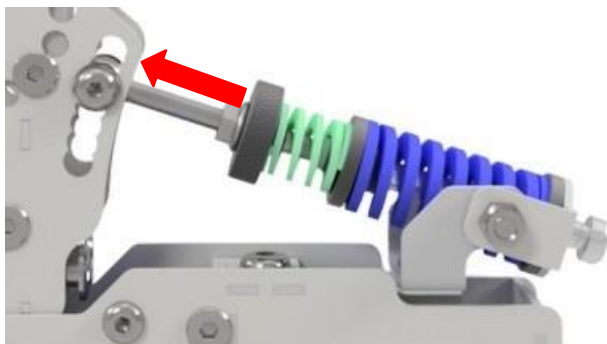


Fig. 3. The direction of winding out the knurled knob by hand

- B. Using the H5 wrench carefully unscrew the clamping screw [1], remove the second clamping screw and the sliding sleeve [2] as well as two positioning sleeves [3].

- C. Move the eyebolt fastening the spring to the desired height and screw it in keeping the correct sequence of parts [Fig.4].

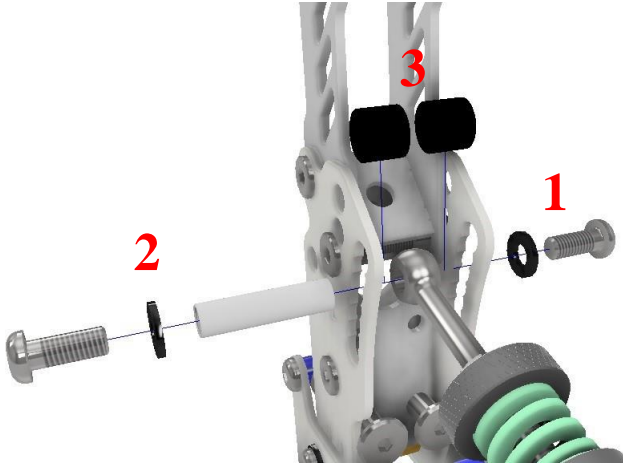


Fig. 4 Sequence of parts fastening the compression spring

4.2. Adjustment of the pressure spring with the knurled knob

For precise adjustment of the spring resistance force, a knurled knob has been installed. It allows the spring to be either compressed or loosened which makes it possible to freely adjust the spring resistance force. This action should be carried out after item 4.1. i.e., after changing the position of the pressure spring.

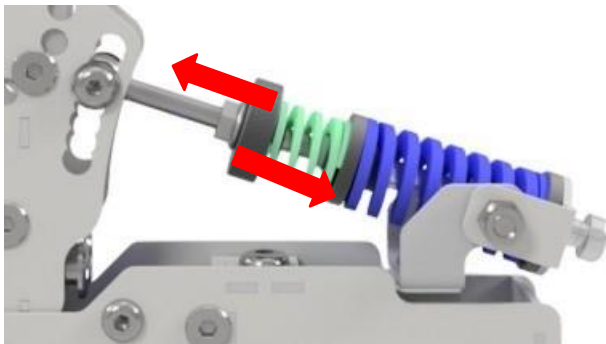


Fig. 5 Direction of adjustment of the pressure spring with the knurled knob

4.3. Changing the position of the lever

For this purpose, a five-level scale has been designed, enabling the lever position to be changed in the range of 180° . Additionally, the lever can be set parallel or perpendicular to the base. Below, there are pictures showing the options of changing the position of the lever - vertical and horizontal variants.

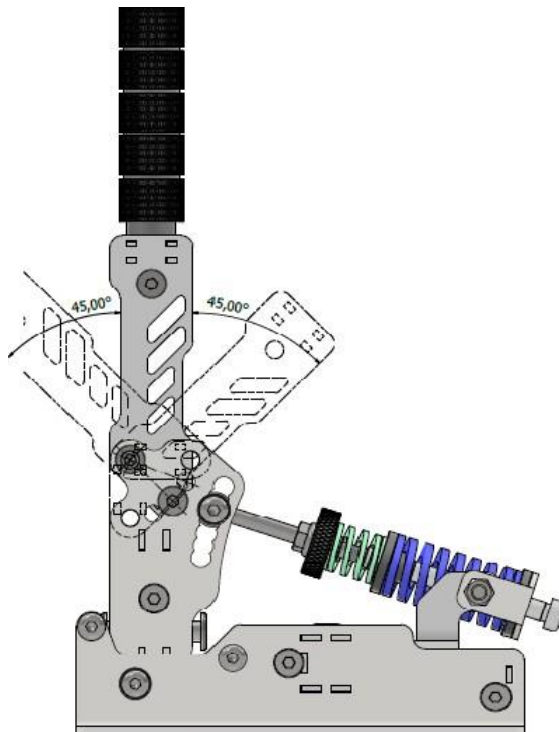


Fig.6 Changing the position of the lever - vertical variant

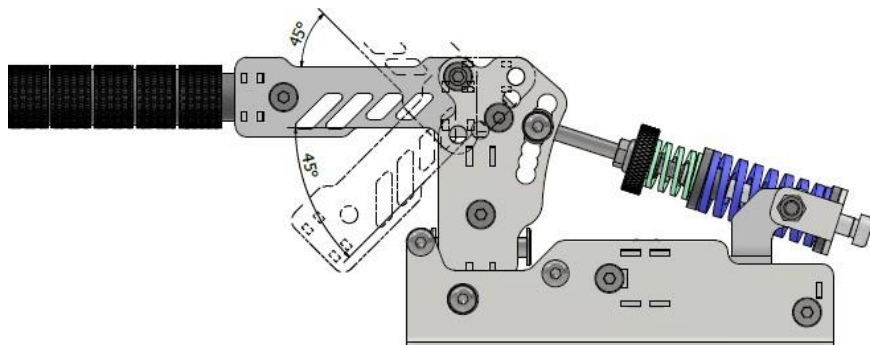


Fig.7 Changing the position of the lever - horizontal variant

In order to properly change the position of the TAU HANDBRAKE lever:

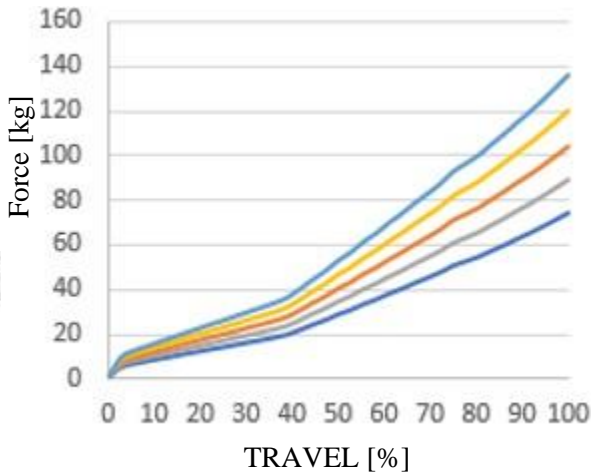
- a. Use the H4 wrenches and unscrew two M6 screws.



- b. Put them into the selected hole and screw on.
- c. For the horizontal variant, rotate the lever by 180° around the axis of the handle and proceed as described above.

5. Characteristics

The characteristics of the TAU HANDBRAKE have been prepared on the basis of the relation between the pressure force and the travel of the lever. Thanks to its design, the TAU HANDBRAKE reflects the characteristics of a real handbrake. Below, there is a graph showing the characteristics for five randomly selected holes.



6. Calibration

Start the calibration downloading the DView program from the website below:

http://www.leobodnar.com/shop/index.php?main_page=page&id=12

Then start the program and select EDIT.

Select the **AW TAU HANDBRAKE** [Fig.8].

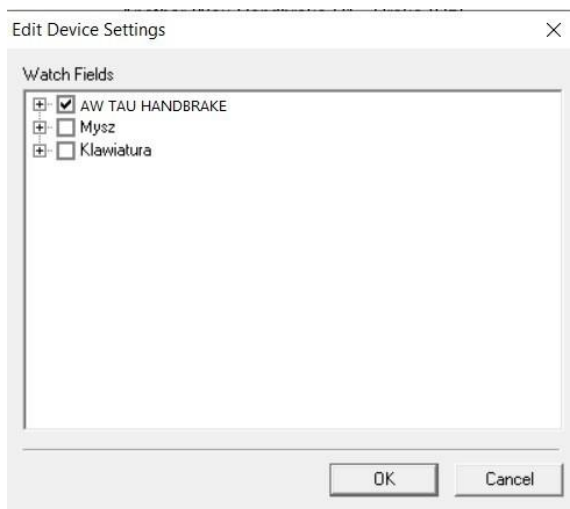


Fig. 8 View of the controller selection window

After selecting the TAU HANDBRAKE on the axis, right-click and select VIEW RAW DATA from the list. Red indicator as well as numerical and percentage values appear [Fig.9].

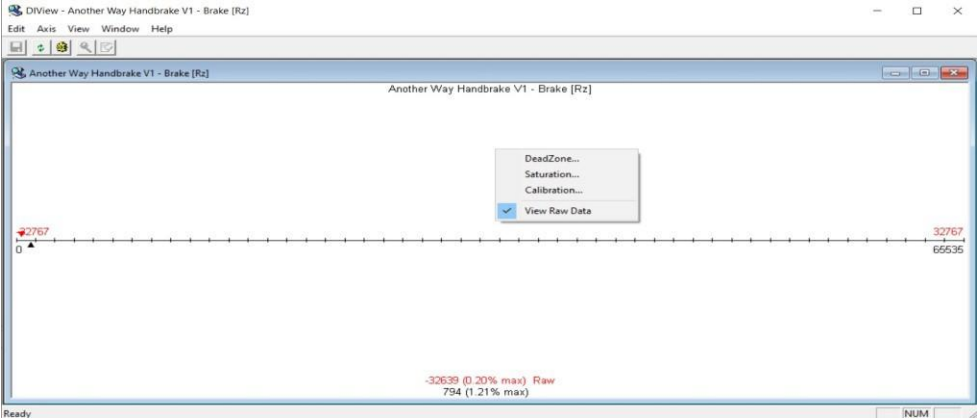


Fig. 9 The VIEW RAW DATA window view

Right-click the axis again and select CALIBRATION [Fig.10].

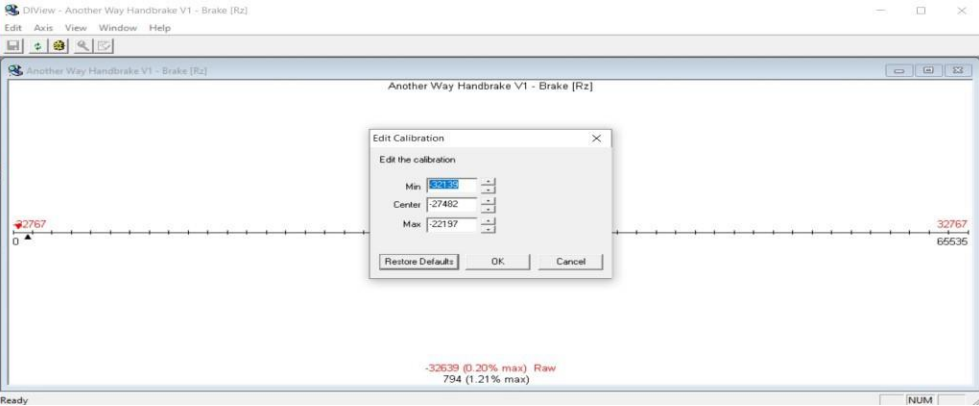


Fig. 10 View of the CALIBRATION window - the Min. value

To properly calibrate the TAU HANDBRAKE, enter the sum of the red value at the bottom of the axis in the Min. value, with a conventional value of 500. This value can be decreased or increased if necessary.

Example:

$$-32639 + 500 = -32139$$



MIN. VALUE

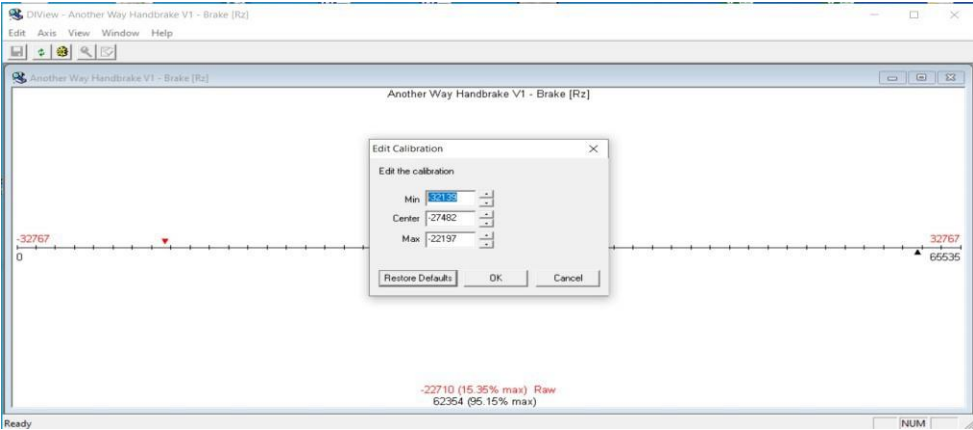


Fig.11 View of the CALIBRATION window - the Max. value

Setting the Max. value, pull the brake lever to the desired position. After reaching the position, read the red value from the bottom part of the calibration window and proceed in the same manner as for the Min. value.

The Center value is calculated as follows:

$$\frac{(\text{MIN} + \text{MAX})}{2} = \text{CENTER VALUE}$$

The Center value should be entered in the appropriate window and confirmed with the OK button.

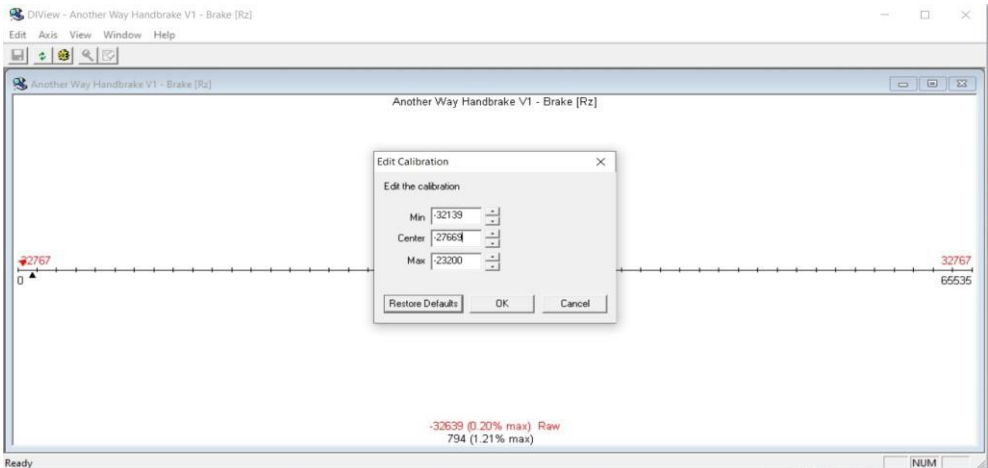


Fig. 12 View of the CALIBRATION window - the Center value

7. Maintenance

The TAU HANDBRAKE has been designed to minimize maintenance and service work. In order to keep it in its best condition for years, see the guidelines included in this section.

The most important protective and maintenance step is systematic lubrication of the handbrake in the most used areas [Fig. 13]. The frequency of this activity depends to the greatest extent on the intensity of use. The main sign indicating the need for maintenance is the characteristic creaking noise caused by friction. Lithium grease is the recommended maintenance agent.

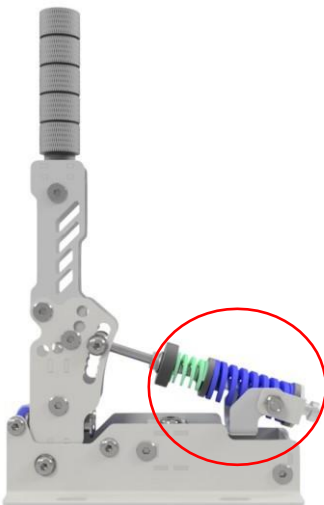


Fig. 13 Marking on the parts that require lubrication

8. Recommendations connected with the protection of the environment

Electronic and electric devices must not be disposed of with other household waste. They are to be recycled at specialized collection points for used electronic and electrical equipment in order to avoid negative impact on the environment and human health. Please contact your local authority for information on the location of such points.

9. Warranty information

The Another Way company based in Bogusławki Małe 25C, 96-200 Rawa Mazowiecka gives a guarantee that the TAU HANDBRAKE product will be free from material / production / design defects for a period of two (2) years running from the moment the TAU HANDBRAKE is delivered to the customer.

In the event of any signs that may indicate a product defect, the manufacturer should be immediately contacted in order to specify further procedure.

Under the specified warranty, the defective product will either be repaired or replaced with a working one, or the cost of its purchase will be refunded, provided that the product along with a copy of the invoice or receipt confirming purchase is delivered to the manufacturer. The decision related to the consideration of the complaint rests with the Manufacturer.

This warranty does not apply in the following cases:

- ✓ If the product has been modified by the user
- ✓ If the product has been reworked, altered, or damaged due to improper or excessive use
- ✓ In case of an accident caused by the customer
- ✓ In case of negligence in use, normal wear and tear or any other reason that is not caused solely by a material or manufacturing defect
- ✓ When used for commercial use
- ✓ If the manufacturer's recommendations are not followed
- ✓ When the product is resold

NOTE

Please remember that in order to make a complaint, you must contact the point of sale where the product was purchased.



Place for notes.....